

TOR-X



User Guide

STEINER 
Nothing Escapes You

TOR-X

Welcome to the TOR-X weapon-mounted laser aiming system! Steiner, the company known for world-class tactical lasers and optics, has teamed with Mantis™ to bring you the first aiming laser with integrated MantisX technology.

MantisX is a training system that analyzes firearm position on every shot and gives you actionable data to improve your accuracy, via Bluetooth® link to the MantisX App.

TOR-X Features

- Durable anodized aluminum housing
- Ambidextrous pressure pads
- Adjustable laser power
- Water resistant
- Fits common holsters

This powerful weapon-mounted laser ensures
Nothing Escapes You!



TOR-X At-A-Glance

| Feature | Description |
|--------------------------|---|
| Activation Options | Ambidextrous operation from either left or right-side pressure pads |
| Housing | Durable, Hard Anodized, Aluminum Housing and Rail Mount |
| Color | Black |
| Adjustments | Windage and Elevation Laser Brightness (3 levels) |
| Mounting | Rail Mount (Picatinny) |
| Battery Type | 1/3N or 2L76 |
| Environmental Conditions | Water resistant |
| Part Number | Green laser: 300716-G01 |

Included with your purchase of a TOR-X:

- One 1/3N battery
- 0.094 (3/32") Allen wrench
- Caution and aperture labels
- Quick start guide

Important Warnings

Failure to read and follow these operating instructions and warnings might result in serious injury, damage to property, or death.

Firearm Safety

Prior to installing the TOR-X onto your firearm, ensure the firearm is unloaded and the magazine is removed.

Always follow these safety rules when handling a firearm:

- Store your firearm so that children cannot gain access to it.
- Always treat a firearm as if it were loaded.
- Always point the gun in a safe direction, away from anything you do not want to destroy.
- Keep your finger off the trigger until you are ready to fire.
- Be aware of your surroundings, target, and what is beyond.

California Proposition 65 Warning:

This product contains chemicals known to the State of California to cause cancer, and birth defects or other reproductive harm. For more information go to www.P65Warnings.ca.gov.

Laser Safety Precautions

The TOR-X features a green laser pointer.

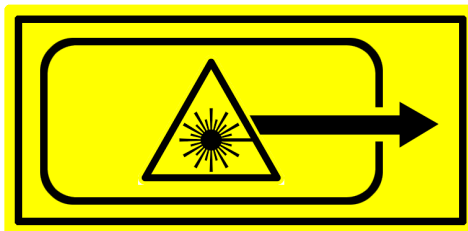
Laser caution and aperture labels are included with the TOR-X for your convenience.

CAUTION: The TOR-X contains a Class 3R laser capable of causing permanent eye injury.

- DO NOT stare into the laser beam.
- DO NOT look into the laser beam through binoculars or telescopes.
- DO NOT point the laser beam at mirror-like surfaces.
- DO NOT shine the laser beam into another individuals' eyes.

Caution - Use of controls or adjustments or performance of procedures other than those specified herein may result in hazardous radiation exposure.

Aperture Label:



Green Laser Caution Label:



Battery Warning:

WARNING: FIRE, EXPLOSION, BURN HAZARD

The TOR-X is powered by one 1/3N battery.

| | |
|---|--|
| <p>To install a new battery, use a coin or similar tool to unscrew the battery cap. Remove and immediately recycle or dispose of the used battery. Install a new battery with the positive side up and screw on the battery cap to the torque specified on the cap.</p> | |
| <p>⚠ WARNING</p> | |
| <ul style="list-style-type: none"> • INGESTION HAZARD: This product contains a button cell or coin battery. • DEATH or serious injury can occur if ingested. • A swallowed button cell or coin battery can cause Internal Chemical Burns in as little as 2 hours • KEEP new and used batteries OUT OF REACH of CHILDREN • Seek immediate medical attention if a battery is suspected to be swallowed or inserted inside any part of the body. | |
| <ul style="list-style-type: none"> • Remove and immediately recycle or dispose of used batteries according to local regulations and keep away from children. • Do NOT dispose of batteries in household trash or incinerate. • Even used batteries may cause severe injury or death. • Call a local poison control center for treatment information. • Compatible battery type - 1/3N, 3V • Non-rechargeable batteries are not to be recharged. • Do not force discharge, recharge, disassemble, heat above (manufacturer's specified temperature rating) or incinerate. • Doing so may result in injury due to venting, leakage or explosion resulting in chemical burns. • Ensure the batteries are installed correctly according to polarity (+ and -). • Do not mix old and new batteries, different brands or types of batteries, such as alkaline, carbon-zinc, or rechargeable batteries. • Remove and immediately recycle or dispose of batteries from equipment not used for an extended period of time according to local regulations. • Always completely secure the battery compartment. If the battery compartment does not close securely, stop using the product, remove the batteries, and keep them away from children | |

Emissions Warning

WARNING: INTERFERENCE TO RADIO OR TELEVISION RECEPTION/ RADIATION EXPOSURE.

The TOR-X is linked to the mobile app via Bluetooth® technology.

This equipment has been tested and found to comply with the limits for a Class B digital device, pursuant to Part 15 of the FCC rules. These limits are designed to provide reasonable protection against harmful interference in a residential installation. This equipment generates, uses, and can radiate radio frequency energy and, if not installed and used in accordance with the instructions, might cause harmful interference to radio communications. However, there is no guarantee that interference will not occur in a particular installation. If this equipment does cause harmful interference to radio or television reception, which can be determined by turning the equipment off and on, the user is encouraged to try to correct the interference by one or more of the following measures:

- Reorient or relocate the receiving product or antenna.
- Increase the separation between the equipment and receiver.
- Connect the equipment into an outlet on a circuit different from that to which the receiver is connected.
- Consult the dealer or an experienced radio/TV technician for help.

Changes or modifications not expressly approved by Steiner eOptics could void the user's authority to operate this equipment.

This device complies with Part 15 of the FCC Rules. Operation Rule: Operation is subject to the following two conditions: (1) This device may not cause harmful interference, and (2) This device must accept any interference received, including interference that might cause undesired operation.

This device complies with FCC radiation exposure limits set forth for general population. This transmitter must not be co-located or operating in conjunction with any other antenna or transmitter.

Contains FCC ID: 2AFOS-WT52832

Getting Started

| TOR-X Laser Specifications | |
|----------------------------|--|
| Center Wavelength | Green laser: 520±10nm |
| Beam Dot Size | 0.5 inches at 50 feet |
| Maximum Power Output | Laser: <5mW |
| Weight (with battery) | 2.5 oz. (71.0 g) |
| Size | 2.4 x 1.4 x 1.3 in. (60.8 x 35.5 x 32.6 mm) |

Rail Mounting:

IMPORTANT: Unload the firearm and remove the magazine before mounting the TOR-X.

The rail mount on the TOR-X will fit pistols that have a Picatinny style rail forward of the trigger guard.

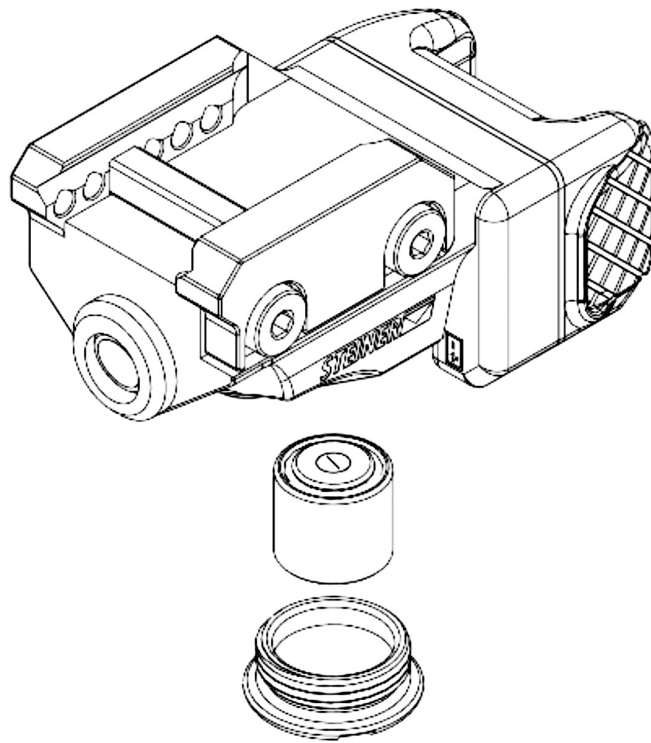
Follow these steps to mount the TOR-X to the rail:

1. Using the supplied Allen wrench, fully loosen the captive screws.
2. Pull back the clamp bar.
3. Position the rail bar to fit the weapon's rail.
There are 6 rail positions to choose from.
4. Once the best rail position is found, ensure the rail bar pins are inserted in the clamp bar in your preferred position.
5. Tighten down the screws until snug.
6. Before every use, verify that rail screws are snug.

Battery Installation:

Follow all firearm safety precautions before installing the battery.

1. Unscrew the battery cap with the supplied tool.
2. Place a new battery into the unit with the negative terminal (-) first.
3. Using the supplied Allen wrench, firmly tighten the battery cap.



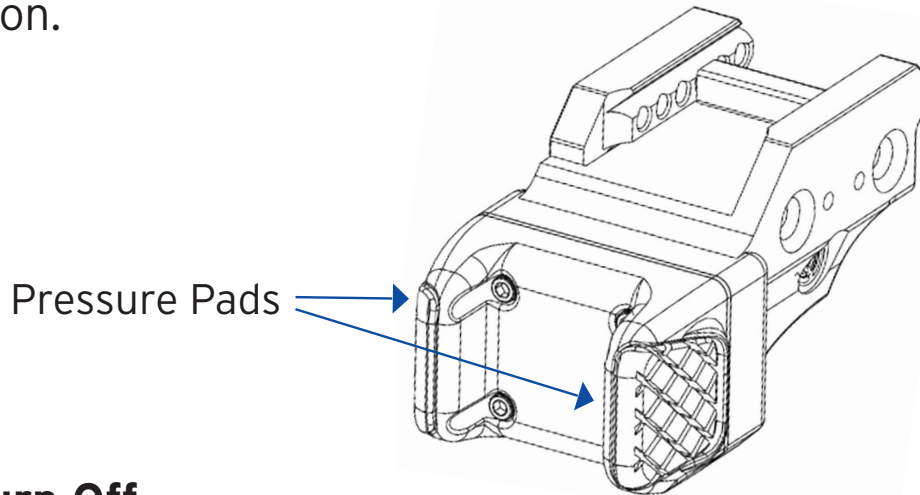
Low Battery Indication:

When the battery gets low, the TOR-X's laser will step down in power, and the red LED on the bottom of the unit will slowly flash before turning off completely. Replace the battery when this occurs.

Operating the TOR-X

Turn On

- Press right or left pressure pad to turn the laser on.



Turn Off

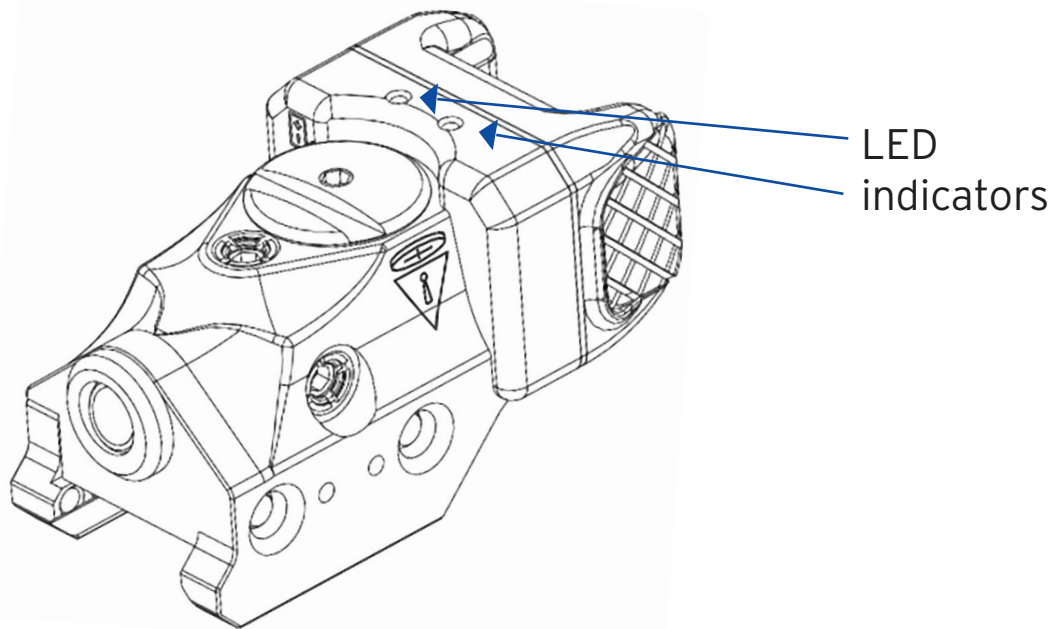
- Press and release right or left pressure pad to turn the laser off.

Turn On Mantis module

- Press both the left and right pressure pads at the same time, until the blue LED indicator turns on and stays on (about 2 seconds.) This can be done with or without the laser being on. The Bluetooth radio will now be active.
- Open the MantisX app on your mobile device and follow its instructions.

Turn Off the Mantis module, only

- Press both the left and right pressure pads at the same time, until the blue LED indicator turns off and stays off (about 2 seconds.) This indicates the Bluetooth radio is no longer active.



Note: If the TOR-X laser is left on, it will shut off automatically after 5 minutes to conserve battery power.

Note: The Bluetooth radio will turn off automatically after 60 seconds if the laser is turned off. This is done to conserve battery power.

Note: The Mantis features may be used for an extended period of time if the laser is never utilized, in order to allow extended training. If the Mantis module is powered on for use with the Mantis app, but the laser is never utilized, then the module **MUST** be turned off when your training is completed. Otherwise, the electronics will continue to run and will quickly drain the battery.

Adjust brightness

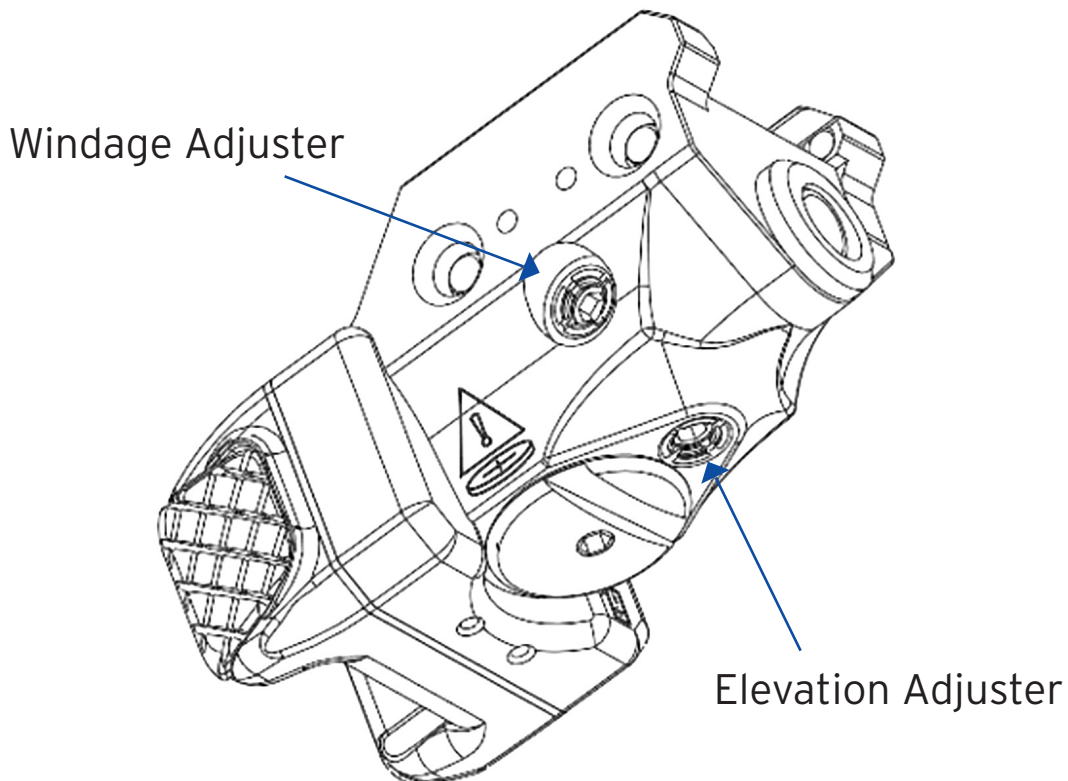
- Press and hold right or left pressure pad. The TOR-X laser cycles through low, medium and high brightness.

- Release the pressure pad when the brightness level you want is reached. The TOR-X will remember the setting even if the battery is removed and replaced.

Windage and Elevation Adjustment

The TOR-X is set to a nominal windage/elevation zero at the factory. However, differences in the alignment of your handgun's rail to its bore can result in the laser aimpoint being off target. Verify the boresight and adjust, if necessary, every time the TOR-X is mounted to a weapon.

The TOR-X has one screw for windage adjustment and one screw for elevation adjustment. Use the 0.094 (3/32") Allen wrench provided in the box to make adjustments.



Adjust the laser beam using windage and elevation screws. (The following directions apply when the TOR-X is oriented mount-side up.)

- To move the beam spot down, turn the elevation screw clockwise.
- To move the beam spot up, turn the elevation screw counterclockwise.
- To move the beam spot to the right, turn the windage screw clockwise.
- To move the beam spot to the left, turn the windage screw counterclockwise.

DO NOT overtighten the windage and elevation screws. It can damage the internal laser module.

When the laser spot cannot move further, stop turning the adjustment screw.

Maintenance

- Never use strong cleaning fluid or solvents.
- Do not use liquid cleaners inside the battery compartment.
- Keep the lens of the laser clean. Clean with alcohol and a cotton swab. A dirty lens will affect beam quality.
- Always remove the TOR-X before cleaning your weapon.
- Before every use, verify rail screws are snug.

Warranty and Repair

Steiner eOptics, Inc. warrants its products against defects in workmanship and materials for a period of two years from the date of purchase. Warranty is void if the product has been abused, misused, neglected, or disassembled prior to the return to the manufacturer.

This warranty does not cover loss, theft, deliberate damage, or cosmetic damage that does not hinder the performance of the product.

To return the TOR-X for repair, please contact Steiner via the repair portal at www.steiner-optics.com

STEINER

Nothing Escapes You

Steiner eOptics, Inc.

3475 Newmark Dr.

Miamisburg, OH 45342

Tel: 937.426.2341

WWW.STEINER-DEFENSE.COM



STEINER-OPTIK is a
Beretta Holding company